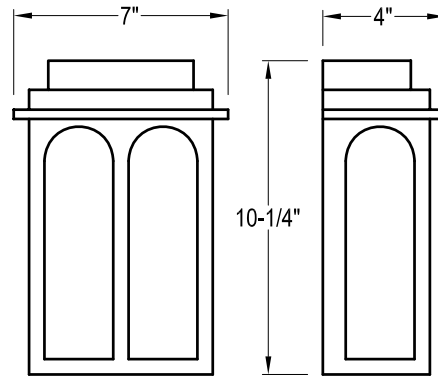




Fixture specification

MODEL NUMBER: **BAR** _____ JOB: _____ TYPE: _____



Light Source

Type	Twin Tube		Quad, Spiral or Triple		Triple	
Wattage	9	13	13	18	26	32 42
Quantity	2	1/2	-	1/2	1/2	1 -

Standard Features

BASE	Aluminum Construction Mounts to Electric Box with Center Nipple	FINISH	Black	LENS	Textured White Acrylic UV Stabilized Non Yellowing
LAMP	Twin, Spiral, Quad, and Triple - 2700K	TECHNOLOGY	Electronic Ballast Normal Power Factor 120V-60Hz AC UL Listed Damp Location		

Special options

Please Note: Standard Features May Change if Fixtures are Ordered with Special Option(s).

BALLAST	<input type="checkbox"/> DV 120/277 <input type="checkbox"/> EBD Dimmable <input type="checkbox"/> EMG Emergency <input type="checkbox"/> HPF High Power Factor <input type="checkbox"/> V 277 Volt	FINISH	<input type="checkbox"/> FBZ Bronzestone <input type="checkbox"/> FCU Custom <input type="checkbox"/> FPA Polished Aluminum <input type="checkbox"/> FPB Polished Brass <input type="checkbox"/> FSB Satin Brass <input type="checkbox"/> FSC Satin Chrome
KELVIN	<input type="checkbox"/> 3000K <input type="checkbox"/> 3500K <input type="checkbox"/> 4100K	COMPLIANCE	<input type="checkbox"/> ES www.energystar.gov for Qualified Models

For Accessories and Adders
See Catalog Page 79

ASL
25 Twelfth Street
Brooklyn, NY 11215-3820

Toll Free
Phone: 800-369-1101
Fax: 800-552-3465

Local
Phone: 718-369-1100
Fax: 718-369-1105

Online
email: info@asllighting.com
visit: www.asllighting.com

