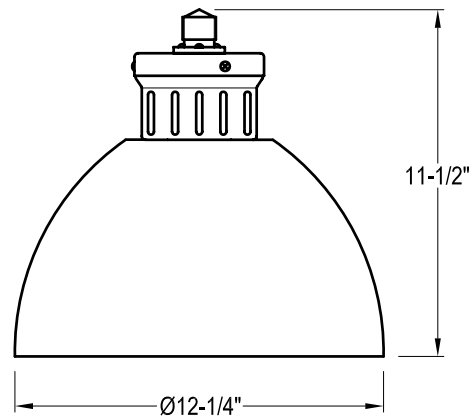




Fixture specification

MODEL NUMBER: **BLD** JOB: _____ TYPE: _____



Light Source

Type	Quad, Spiral or Triple		Triple		HPS			
Wattage	18	26	32	42	35	50	70	100
Quantity	1	1	1	1	1	1	1	1

Standard Features

BASE	C.R. Steel Construction Screw into Standard 120V Medium Socket (Porcelan Only)	FINISH	White	LENS	Clear Linear Acrylic UV Stabilized Non Yellowing
LAMP	Spiral, Quad, and Triple - 2700K	TECHNOLOGY	Electronic Ballast Normal Power Factor 120V-60Hz AC UL Listed Damp Location		

Special options

Please Note: Standard Features May Change if Fixtures are Ordered with Special Option(s).

BALLAST	<input type="checkbox"/> DV 120/277 <input type="checkbox"/> EBD Dimmable <input type="checkbox"/> EMG Emergency <input type="checkbox"/> HPF High Power Factor <input type="checkbox"/> V 277 Volt	KELVIN	<input type="checkbox"/> 3000K <input type="checkbox"/> 3500K <input type="checkbox"/> 4100K	COMPLIANCE	<input type="checkbox"/> ES www.energystar.gov for Qualified Models
----------------	---	---------------	--	-------------------	--

For Accessories and Adders
See Catalog Page 79

ASL
25 Twelfth Street
Brooklyn, NY 11215-3820

Toll Free
Phone: 800-369-1101
Fax: 800-552-3465

Local
Phone: 718-369-1100
Fax: 718-369-1105

Online
email: info@asllighting.com
visit: www.asllighting.com

