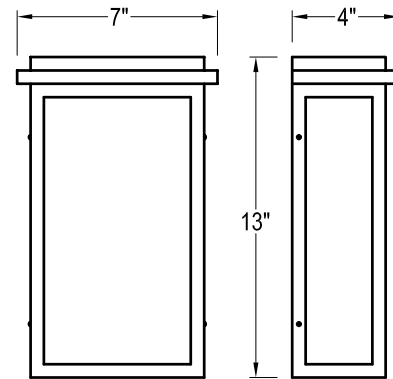




# Fixture specification

MODEL NUMBER: **BPN** \_\_\_\_\_ JOB: \_\_\_\_\_ TYPE: \_\_\_\_\_



### Light Source

Type	Twin Tube		Quad, Spiral or Triple			Triple	
Wattage	9	13	13	18	26	32	42
Quantity	2	1/2	-	1/2	1/2	1	-

### Standard Features

<b>HOUSING</b>	Aluminum Construction Mounts to Electric Box with Center Nipple	<b>FINISH</b>	Verde Green	<b>LENS</b>	Textured White Acrylic UV Stabilized Non Yellowing
<b>LAMP</b>	Twin, Spiral, Quad, Triple - 2700K	<b>TECHNOLOGY</b>	Electronic Ballast Normal Power Factor 120V-60Hz AC UL Listed Damp Location		

### Special options

Please Note: Standard Features May Change if Fixtures are Ordered with Special Option(s).

<b>BALLAST</b>	<input type="checkbox"/> DV 120/277 <input type="checkbox"/> EBD Dimmable <input type="checkbox"/> EMG Emergency <input type="checkbox"/> HPF High Power Factor <input type="checkbox"/> V 277 Volt	<b>FINISH</b>	<input type="checkbox"/> FB Black <input type="checkbox"/> FBZ Bronzestone <input type="checkbox"/> FCU Custom <input type="checkbox"/> FPA Polished Aluminum <input type="checkbox"/> FPB Polished Brass <input type="checkbox"/> FSB Satin Brass <input type="checkbox"/> FSC Satin Chrome
<b>KELVIN</b>	<input type="checkbox"/> 3000K <input type="checkbox"/> 3500K <input type="checkbox"/> 4100K	<b>COMPLIANCE</b>	<input type="checkbox"/> ES <a href="http://www.energystar.gov">www.energystar.gov</a> for Qualified Models

For Accessories and Adders  
See Catalog Page 79

ASL  
25 Twelfth Street  
Brooklyn, NY 11215-3820

Toll Free  
Phone: 800-369-1101  
Fax: 800-552-3465

Local  
Phone: 718-369-1100  
Fax: 718-369-1105

Online  
email: [info@asllighting.com](mailto:info@asllighting.com)  
visit: [www.asllighting.com](http://www.asllighting.com)

