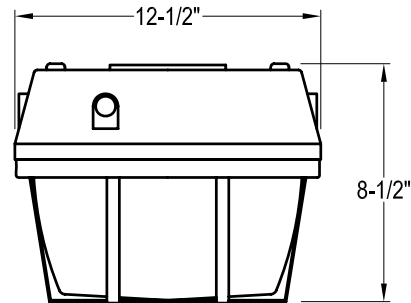




Fixture Specification

MODEL NUMBER: **CGB**

JOB: _____ TYPE: _____



Light Source

Type	Twin Tube		Quad, Spiral or Triple			Triple		2D		High Pressure Sodium					Metal Halide			
Wattage	9	13	13	18	26	32	42	28	38	35	50	70	100	150	50	70	100	150
Quantity	-	2/3	2/3	1/2	1/2	1/2	1/2	1	1	1	1	1	1	1	1	1	1	1

Standard Features

BASE	Die Cast Aluminum Three 1/2" NPT Plugged Outlets for Conduit and/or Photo Cell Mounts to Structure through Four Knockouts for Secure Anchoring	FINISH	White	LENS	Clear Prismatic Polycarbonate UV Stabilized Non Yellowing
LAMP	Twin, Quad, Spiral, Triple, and 2D - 2700K	ELECTRICAL/FLUORESCENT	Electronic Ballast Normal Power Factor 120V-60Hz AC UL Listed Wet Location	ELECTRICAL/HID	Magnetic Ballast HPS 35-150/NPF/120V MH 50/HPF/120-277V All Others Wattages: HPF/120-208-240-277V

Special options

Please Note: Standard Features May Change if Fixtures are Ordered with Special Option(s).

BALLAST	<input type="checkbox"/> DV 120/277 <input type="checkbox"/> EBD Dimmable <input type="checkbox"/> EMG Emergency <input type="checkbox"/> HPF High Power Factor <input type="checkbox"/> V 277 Volt	FINISH	<input type="checkbox"/> FB Black <input type="checkbox"/> FBZ Bronzestone <input type="checkbox"/> FCU Custom	LENS	<input type="checkbox"/> WP White Polycarbonate
KELVIN	<input type="checkbox"/> 3500K <input type="checkbox"/> 4100K				

ASL
25 Twelfth Street
Brooklyn, NY 11215-3820

Toll Free
Phone: 800-369-1101
Fax: 800-552-3465

Local
Phone: 718-369-1100
Fax: 718-369-1105

Online
email: info@aslighting.com
visit: www.aslighting.com



© copyright 2008 by American Scientific Lighting Corp. All rights reserved.

CGB