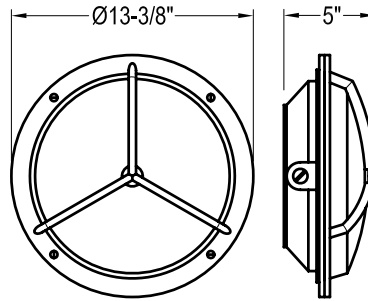




Fixture Specification

MODEL NUMBER: CGM JOB: _____ TYPE: _____



Light Source

Type	Twin Tube		Quad		Triple	
Wattage	13	18	26	32	42	
Quantity	2	2	1/2	1/2	1/2	

Standard Features

BASE	Die Cast Aluminum Three 1/2" NPT Plugged Outlets for Conduit and/or Photo Cell Mounts to Electric Box with Center Nipple Additional Four Drill Points are Provided for Secure Anchoring to Structure	FINISH	Textured Black	LENS	Milky White Polycarbonate UV Stabilized Non Yellowing Secured by Four Stainless Steel Screws
LAMP	Twin, Quad, and Triple - 2700K	TECHNOLOGY	Electronic Ballast Normal Power Factor 120V-60Hz AC UL Listed Wet Location		

Special options

Please Note: Standard Features May Change if Fixtures are Ordered with Special Option(s).

BALLAST	<input type="checkbox"/> DV 120/277 <input type="checkbox"/> EBD Dimmable <input type="checkbox"/> EMG Emergency <input type="checkbox"/> HPF High Power Factor <input type="checkbox"/> V 277 Volt	FINISH	<input type="checkbox"/> FCU Custom White <input type="checkbox"/> FW White	ACCESSORIES	<input type="checkbox"/> EPC External Photocell
KELVIN	<input type="checkbox"/> 3500K <input type="checkbox"/> 4100K	TECHNOLOGY	<input type="checkbox"/> GU24		

ASL
25 Twelfth Street
Brooklyn, NY 11215-3820

Toll Free
Phone: 800-369-1101
Fax: 800-552-3465

Local
Phone: 718-369-1100
Fax: 718-369-1105

Online
email: info@aslighting.com
visit: www.aslighting.com



© copyright 2008 by American Scientific Lighting Corp. All rights reserved.

CGM