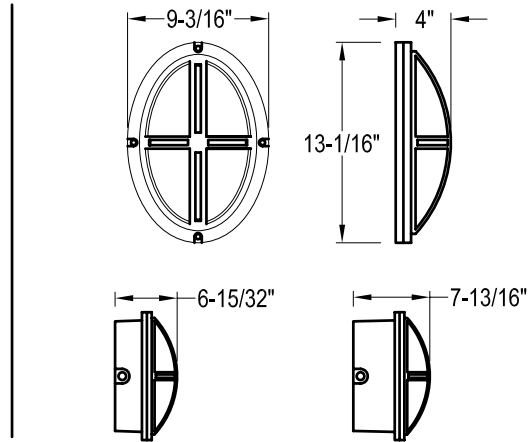




Fixture Specification

MODEL NUMBER: CGE JOB: _____ TYPE: _____



Light Source

Type	Quad, Spiral or Triple			Triple		High Pressure Sodium				Metal Halide				Width	Height	Depth	
Wattage	13	18	26	32	42	35	50	70	100	35	50	70	100	9-3/16"	13-1/16"	4"	✓
Quantity	1/2	1	1	1	-	-	-	-	-	-	-	-	-	9-3/16"	13-1/16"	6-15/32"	-
	-	-	-	-	-	1	1	-	-	1	1	-	-	9-3/16"	13-1/16"	7-13/16"	-

Standard Features

HOUSING	Die Cast Aluminum Base Extended Bases Have Four Threaded and Plugged Conduit Entries Molded Polycarbonate Guard with Gasketed and Tamper Proof Screws Mounts over Electric Box	FINISH	Black	LENS	Frosted Ribbed Polycarbonate UV Stabilized Non Yellowing
LAMP	Quad, Spiral, and Triple - 2700K	ELECTRICAL/FLUORESCENT	Electronic Ballast Normal Power Factor 120V-60Hz AC UL Listed Wet Location	ELECTRICAL/HID	Magnetic Ballast HPS/NPF/120V MH/HPF/120-208-240-277V

Special options

Please Note: Standard Features May Change if Fixtures are Ordered with Special Option(s).

BALLAST	<input type="checkbox"/> DV 120/277 <input type="checkbox"/> HPF High Power Factor <input type="checkbox"/> V 277 Volt	FINISH	<input type="checkbox"/> FBZ Bronzetone <input type="checkbox"/> FTI Titanium <input type="checkbox"/> FW White	LENS	<input type="checkbox"/> OWP Opal White Polycarbonate <input type="checkbox"/> CRP Clear Ribbed Polycarbonate
KELVIN	<input type="checkbox"/> 3500K <input type="checkbox"/> 4100K				

ASL
25 Twelfth Street
Brooklyn, NY 11215-3820

Toll Free
Phone: 800-369-1101
Fax: 800-552-3465

Local
Phone: 718-369-1100
Fax: 718-369-1105

Online
email: info@aslighting.com
visit: www.aslighting.com



© copyright 2008 by American Scientific Lighting Corp. All rights reserved.

CGE