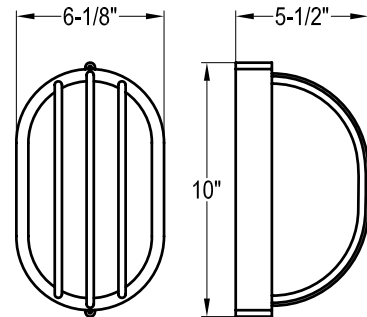




Fixture Specification

MODEL NUMBER: CGN JOB: _____ TYPE: _____



Light Source

Type	Quad, Spiral or Triple		
Wattage	13	18	26
Quantity	1	1	1

Standard Features

BASE	Cast Aluminum Mounts over Electric Box	FINISH	Architectural Bronze	LENS	Frosted Glass
LAMP	Quad, Spiral, and Triple - 2700K	TECHNOLOGY	Electronic Ballast Normal Power Factor 120V-60Hz AC UL Listed Wet Location		

Special options

Please Note: Standard Features May Change if Fixtures are Ordered with Special Option(s).

BALLAST	<input type="checkbox"/> DV 120/277 <input type="checkbox"/> HPF High Power Factor <input type="checkbox"/> V 277 Volt	FINISH	<input type="checkbox"/> FW White
KELVIN	<input type="checkbox"/> 3500K <input type="checkbox"/> 4100K	TECHNOLOGY	<input type="checkbox"/> GU24
		ACCESSORIES	<input type="checkbox"/> IPC Internal Photocell

ASL
25 Twelfth Street
Brooklyn, NY 11215-3820

Toll Free
Phone: 800-369-1101
Fax: 800-552-3465

Local
Phone: 718-369-1100
Fax: 718-369-1105

Online
email: info@aslighting.com
visit: www.aslighting.com



© copyright 2008 by American Scientific Lighting Corp. All rights reserved.

CGN