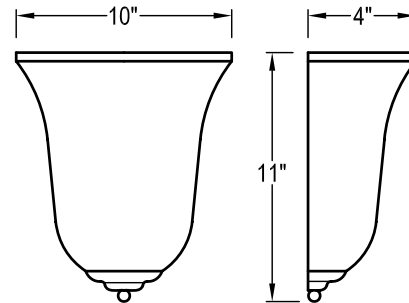




# Fixture specification

MODEL NUMBER: AGB JOB: \_\_\_\_\_ TYPE: \_\_\_\_\_



### Light Source

| Type     | Twin Tube |     | Quad, Spiral or Triple |     |    | Triple |    |
|----------|-----------|-----|------------------------|-----|----|--------|----|
| Wattage  | 9         | 13  | 13                     | 18  | 26 | 32     | 42 |
| Quantity | 2         | 1/2 | 1/2                    | 1/2 | 1  | 1      | -  |

### Standard Features

|             |  |                           |   |             |                 |
|-------------|--|---------------------------|---|-------------|-----------------|
| <b>BASE</b> | Aluminum Construction<br>Mounts to Electric Box with Center Nipple | <b>FINISH/<br/>ACCENT</b> | Old Rubbed Bronz  | <b>LENS</b> | Alabaster Glass |
| <b>LAMP</b> | Twin, Spiral, Quad, Triple - 2700K                                 | <b>TECHNOLOGY</b>         | Electronic Ballast<br>Normal Power Factor<br>120V-60Hz AC<br>UL Listed<br>Damp Location |             |                 |

### Special options

Please Note: Standard Features May Change if Fixtures are Ordered with Special Option(s).

|                |   |                           |  |
|----------------|---|---------------------------|--|
| <b>BALLAST</b> | <input type="checkbox"/> DV 120/277<br><input type="checkbox"/> EBD Dimmable<br><input type="checkbox"/> EMG Emergency<br><input type="checkbox"/> HPF High Power Factor<br><input type="checkbox"/> V 277 Volt | <b>FINISH/<br/>ACCENT</b> | <input type="checkbox"/> PA Pewter<br><input type="checkbox"/> TXWA Textured White                             |
| <b>KELVIN</b>  | <input type="checkbox"/> 3000K<br><input type="checkbox"/> 3500K<br><input type="checkbox"/> 4100K  | <b>COMPLIANCE</b>         | <input type="checkbox"/> ES <a href="http://www.energystar.gov">www.energystar.gov</a><br>for Qualified Models |

For Accessories and Adders  
See Catalog Page 79

ASL  
25 Twelfth Street  
Brooklyn, NY 11215-3820

Toll Free  
Phone: 800-369-1101  
Fax: 800-552-3465

Local  
Phone: 718-369-1100  
Fax: 718-369-1105

Online  
email: [info@asllighting.com](mailto:info@asllighting.com)  
visit: [www.asllighting.com](http://www.asllighting.com)

